



Dual Program 2023 Level 1 ENGG (Engineering) Academic Year 2023/24

Our topics



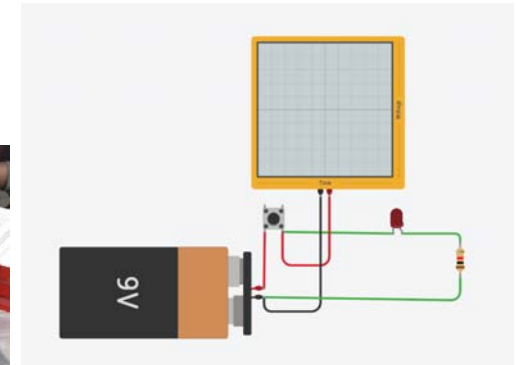
Numbering



Coding



Basic electrical circuits and analysis



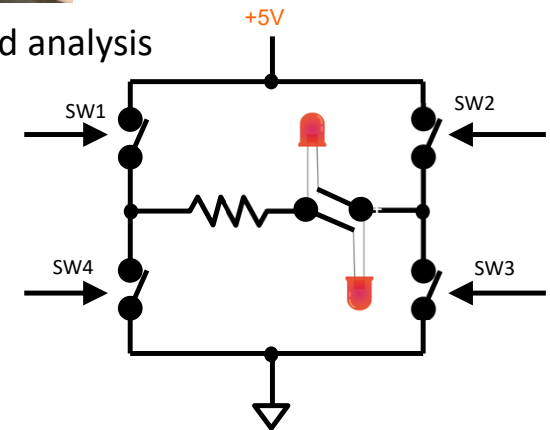
Simulation of Basic electrical circuits

Learning objectives:

- Apply the academic knowledge of mathematics and physics to view and implement an engineering solution. Get to know “why” and “how”
- Application of sensors
- Enhance the students’ problem-solving skills



System integration

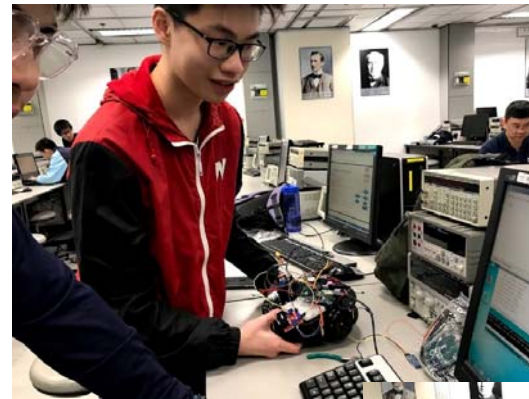


Advanced electrical circuits

Nurture academic literacy of STEM

What is our pedagogy?

Experiential learning



Every class = academic knowledge + experiments

Tim Woo



Q&A